



Technical data KNS300

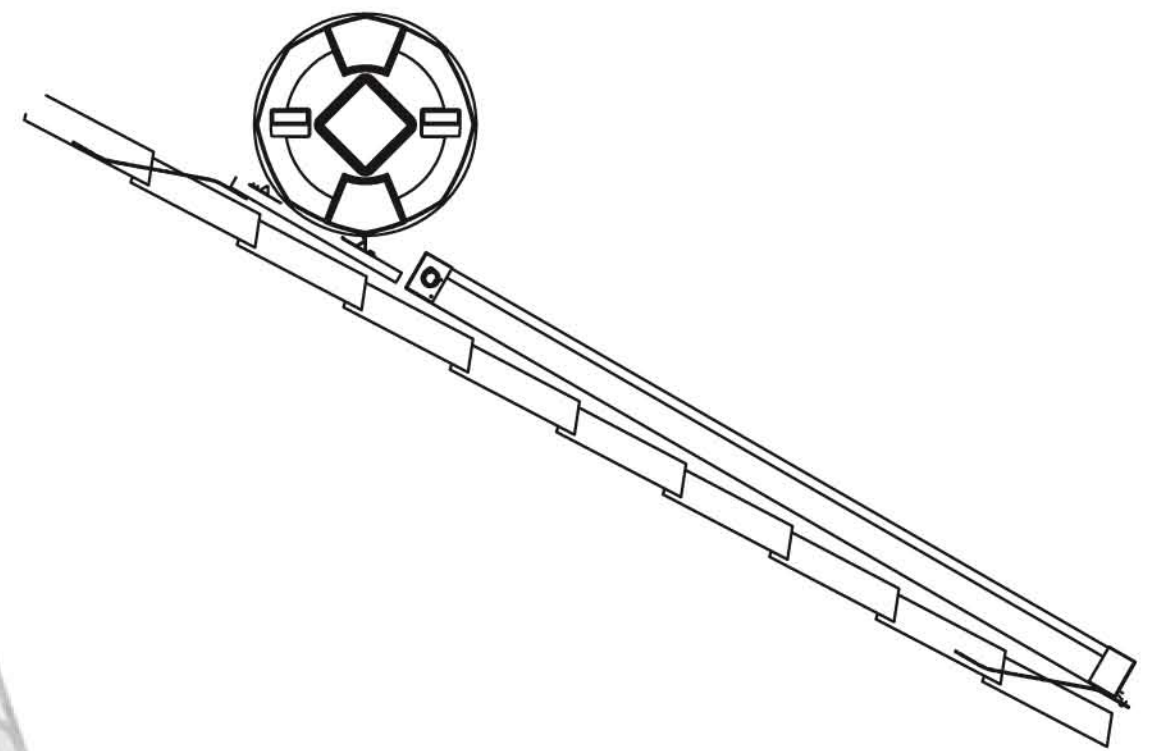
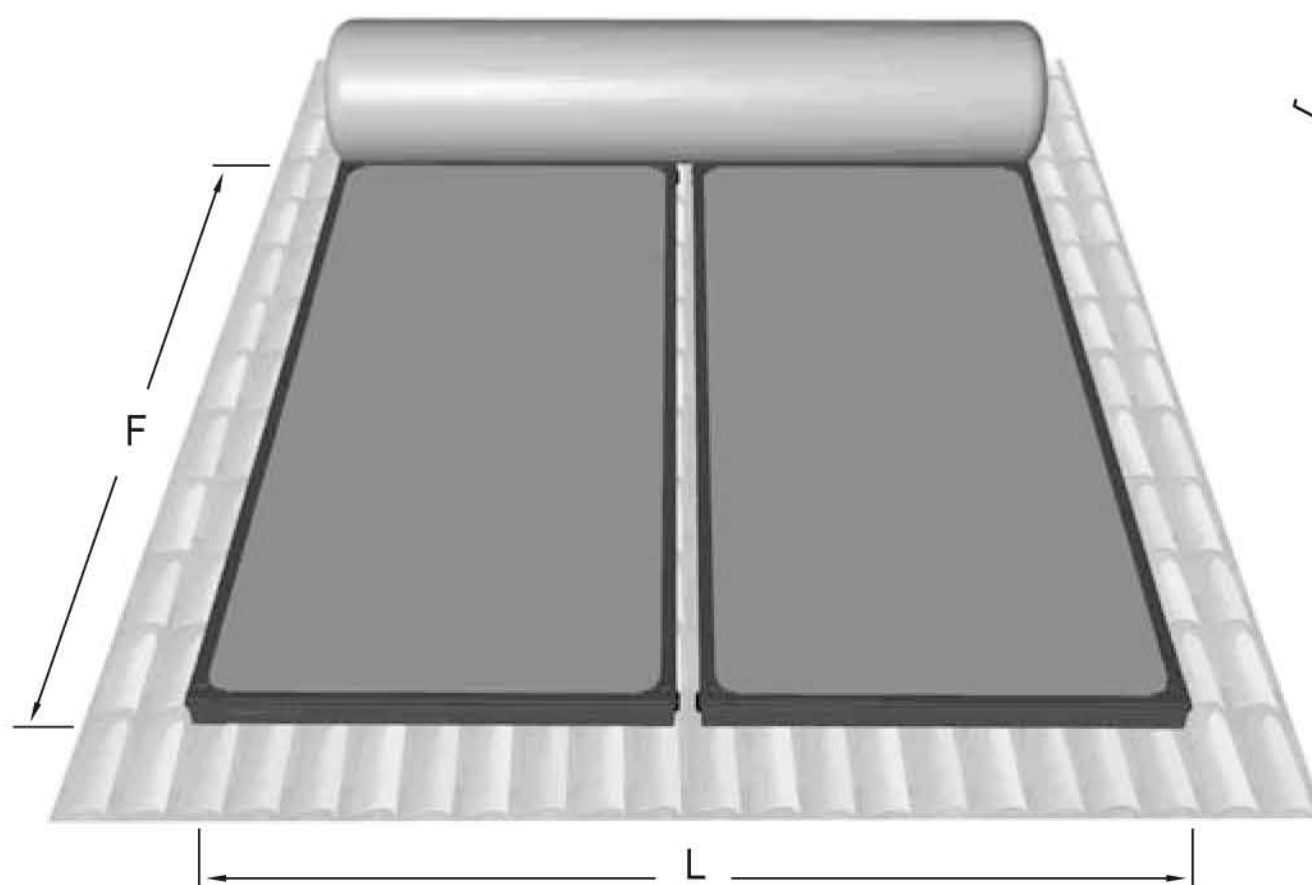
KOALA Series



Q.ty	Components	Code	Base
2	Solar Panel Koala 2.0 Cu Black	KOAMD2VNN	✓
1	Support structure for pitched roofs	STCN300NF	✓
1	Enameled solar boiler with cavity, 300 liters	BV0300ICG	✓
1	Solar safety valve, set point 1.5 bar	IDRVSIC15	✓
1	Drain valve with hose connection	IDRVSCGM1	✓
4	Monopropylene glycol - liters	IDRLQGLCL	✓
Connection kit to the solar boiler			
1	Copper pipe (2.5 meters rod)	IDRTR2522	✓
6	Bent connector 90° 3/4 - 22	IDRRACOTC	✓
6	Unions	IDRRACBPP	✓

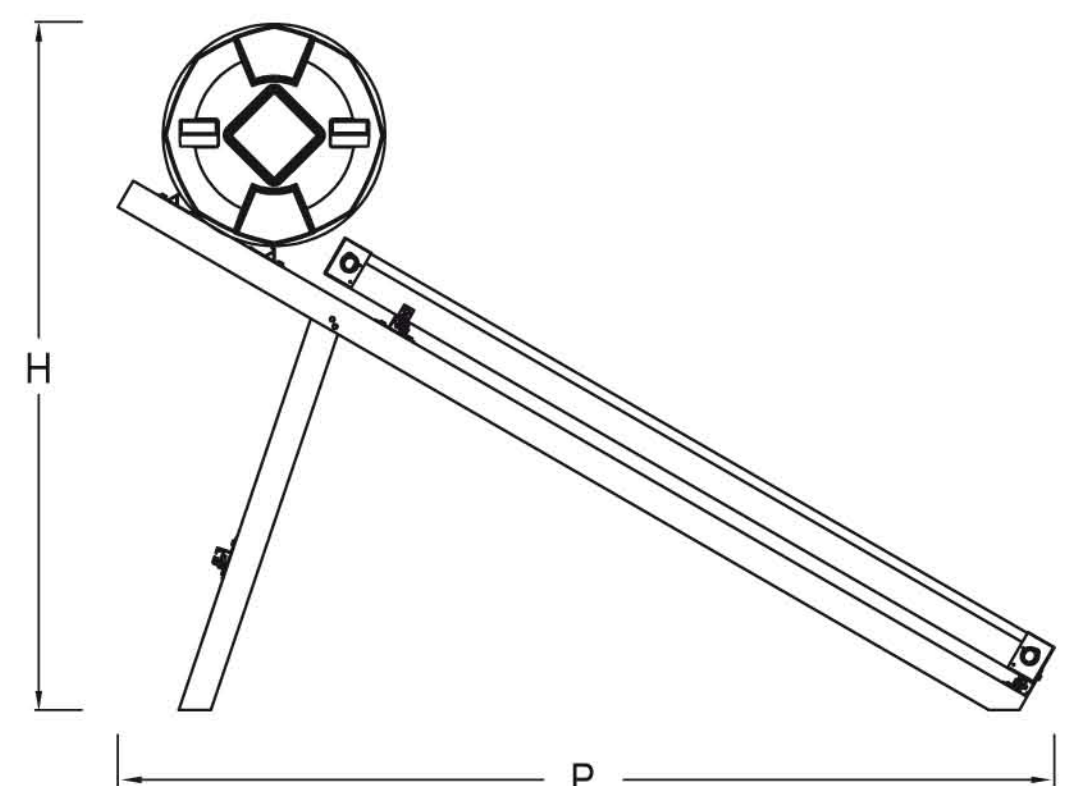
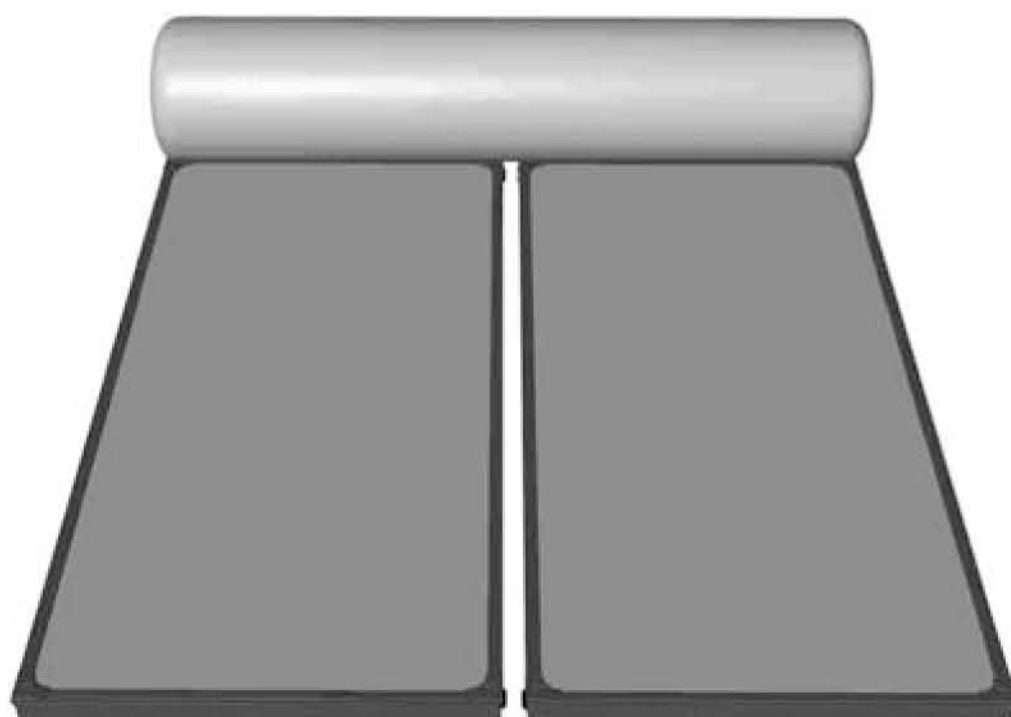
PITCHED ROOF

Mod.	Roof	Solar storage tank	Code
KNS300	Pitched	300	KNS300FBG



FLAT ROOF

Mod.	Roof	Solar storage tank	Code
KNS300	30°	300	KNS300EBG



Overall dimensions: **flat roof** LxPxH = 2200x2400x1800 mm empty weight 210 kg
pitched roof LxF = 2200x2800 mm empty weight 195 kg